

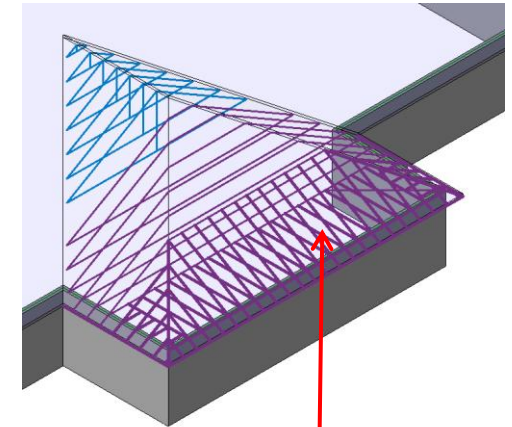
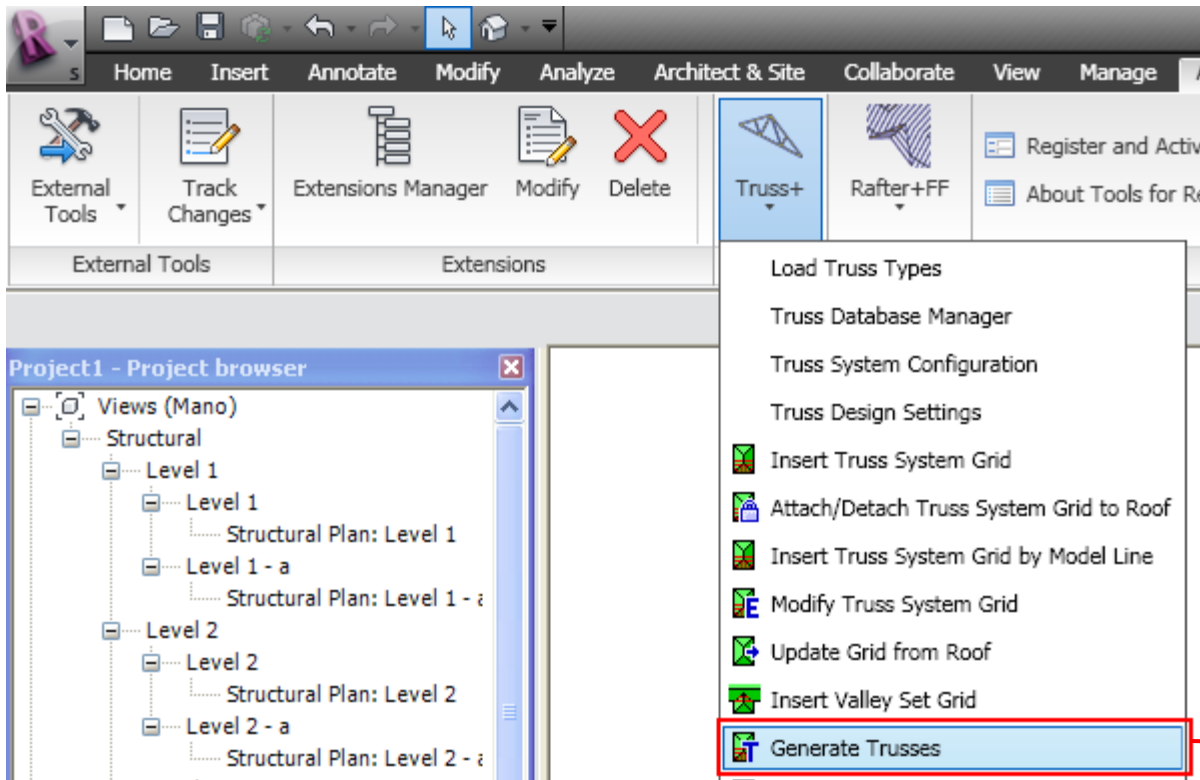


Truss+ 2010

Generate Trusses

Generate Trusses

- Select a grid.
- Choose *Generate Trusses* directly from “Truss+” menu.



Generate Trusses

- Check which trusses you want to generate and choose types.

Generate Trusses

Truss System

Truss System: Step Down - HE-HR-JT-SB108-TCH1.5x3.5

Top Chord: 1.500 x 3.500 (thickness x depth)

Generate

<input checked="" type="checkbox"/> Common trusses	I_Truss_Common Truss : W1.5_TCH3.5_VW3.5_DW3.5_BCH3.5
<input checked="" type="checkbox"/> Hip (Barn) end trusses	I_Truss_Hip End Truss : W1.5_TCH3.5_VW3.5_DW3.5_BCH3.5
<input checked="" type="checkbox"/> Jack trusses (rafters)	I_Truss_Jack Truss : W1.5_TCH3.5_VW3.5_DW3.5_BCH3.5
<input checked="" type="checkbox"/> Corner girders (rafters)	I_Truss_Corner Girder Truss : W1.5_TCH3.5_VW3.5_DW3.5_BCH3.5
<input type="checkbox"/> Gable end trusses	I_Truss_Common Truss : W1.5_TCH3.5_VW3.5_DW3.5_BCH3.5
<input type="checkbox"/> Valley trusses	I_Truss_Valley Truss : W1.5_TCH3.5_VW3.5_DW3.5_BCH3.5
<input type="checkbox"/> Hip frames	

Truss options

Cantilevered

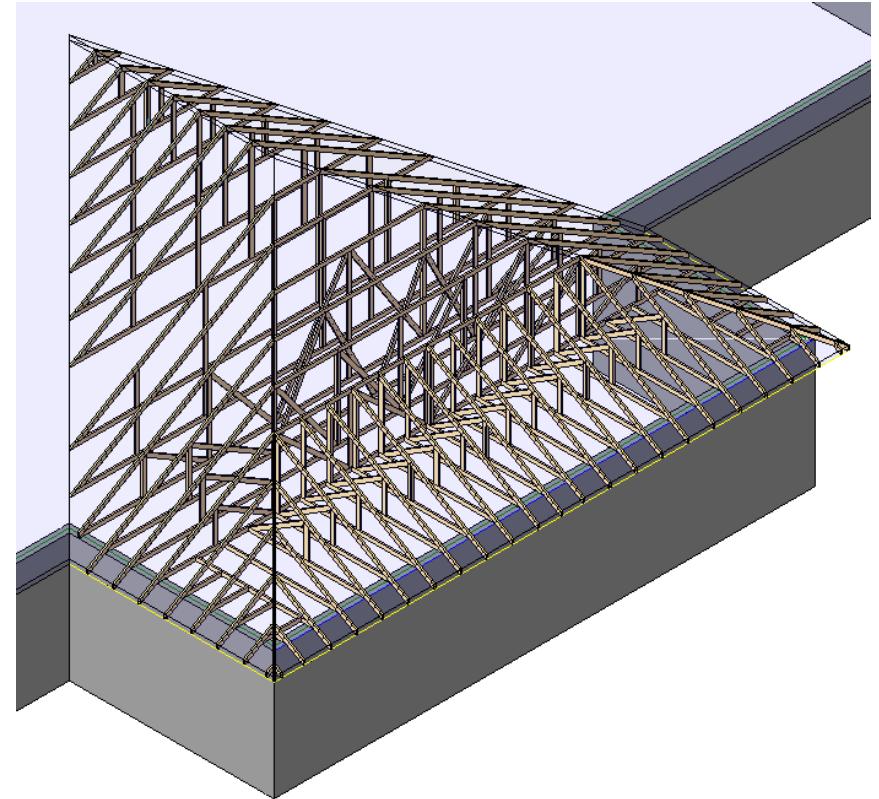
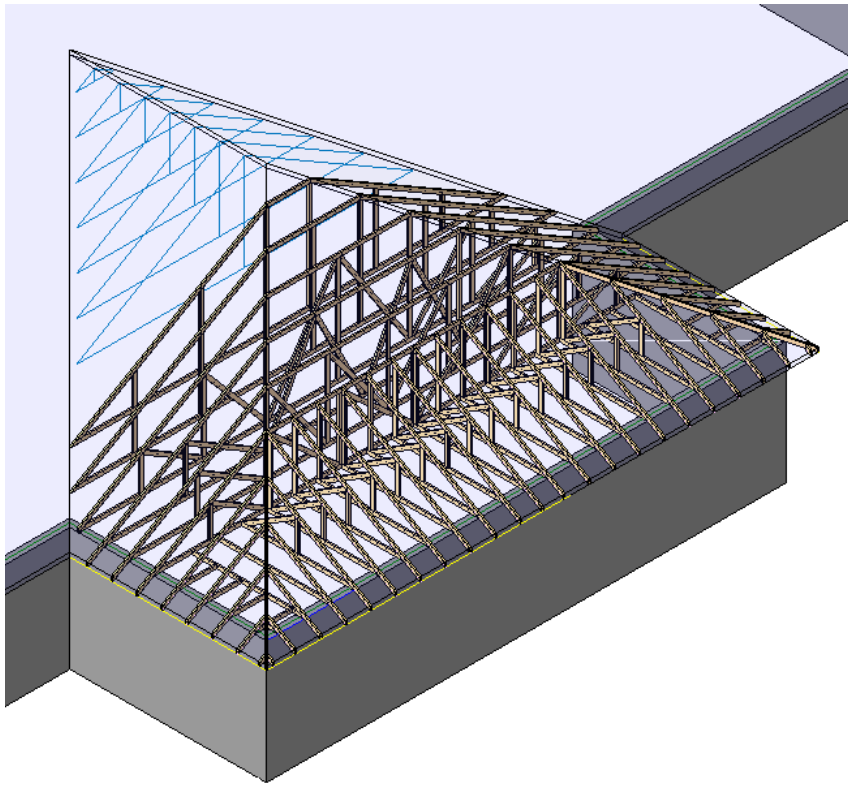
Generate Jack trusses and Corner girders on Left side of Truss System

Generate Jack trusses and Corner girders on Right side of Truss System

OK Cancel

Generate Trusses

- Repeat it for every grid separately.

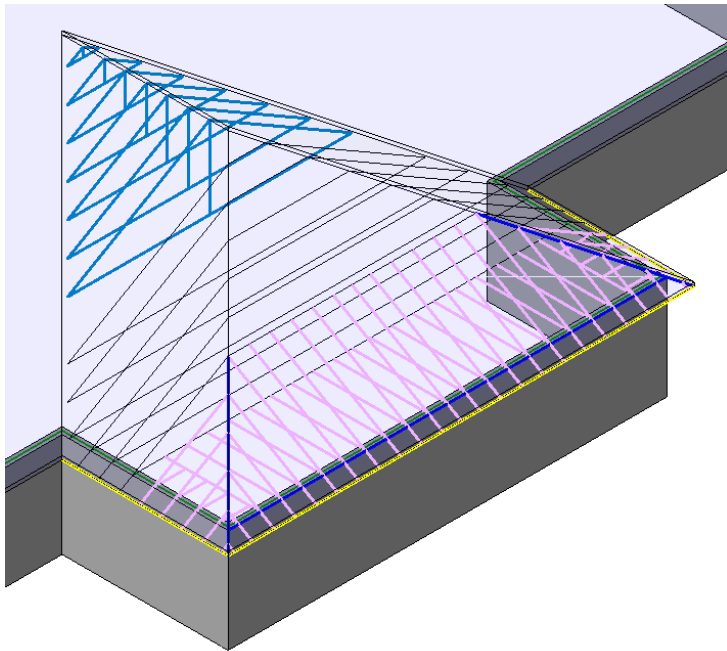


Generate Trusses

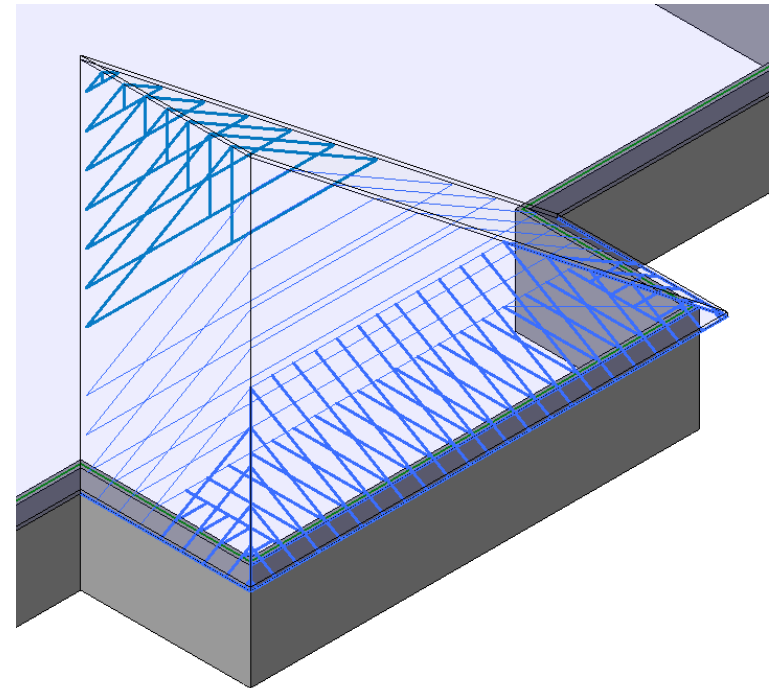
- If an error message 'Select grid' occurs, it means that the user hasn't selected a grid before trying to generate trusses.



Not selected grid



Selected grid



Increase your productivity !



AGA CAD Ltd.
Zalgirio 112A, LT-09300 Vilnius,
Lithuania
Tel. +370 5 2398111
Fax +370 5 2398113
Email info@aga-cad.lt
info@tools4revit.com
www.tools4revit.com